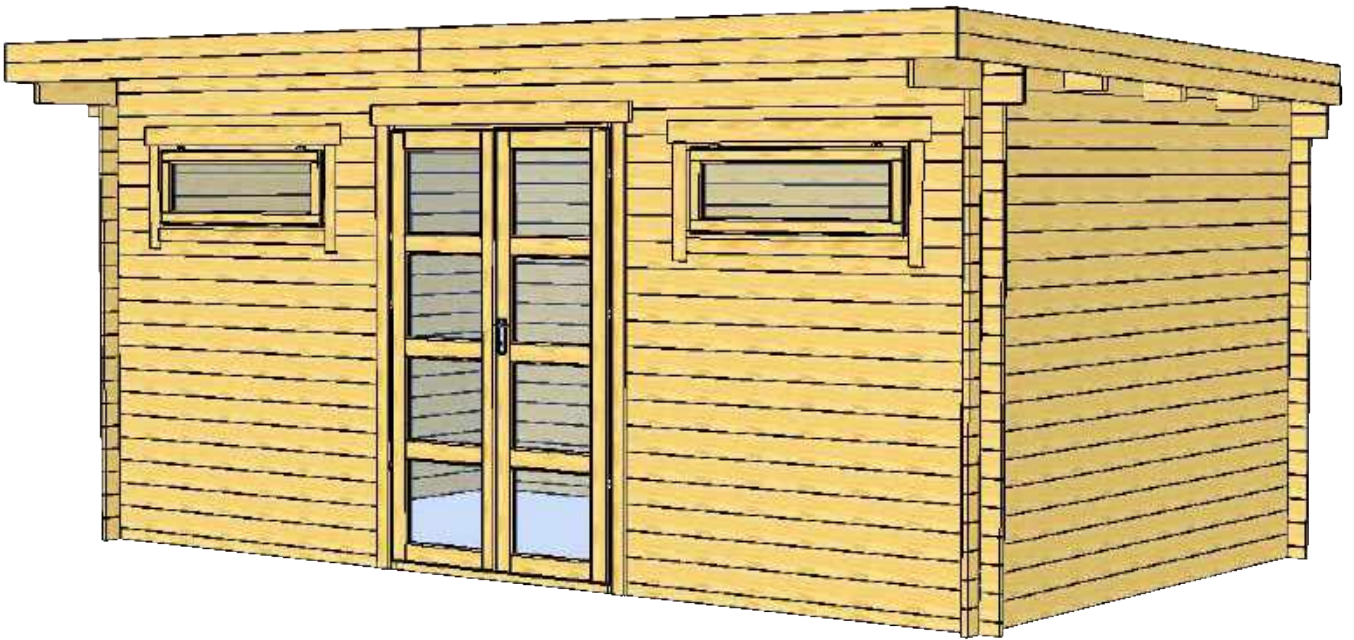


Manual



QC checked

Zutphen (5x3) 28mm

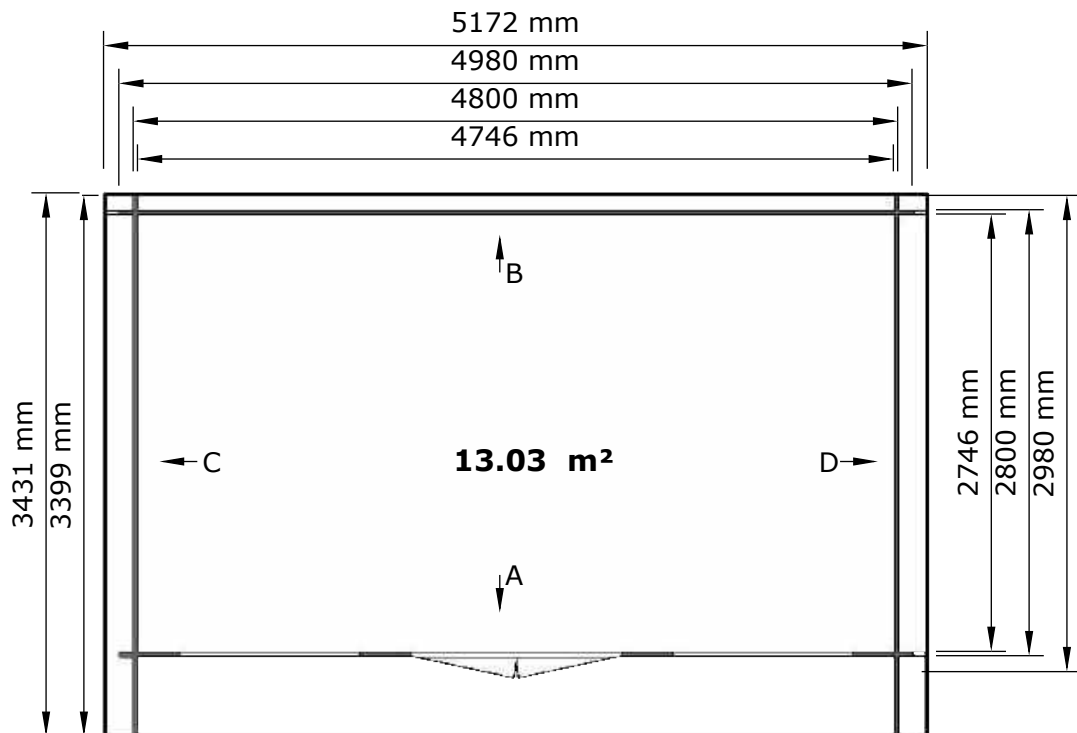
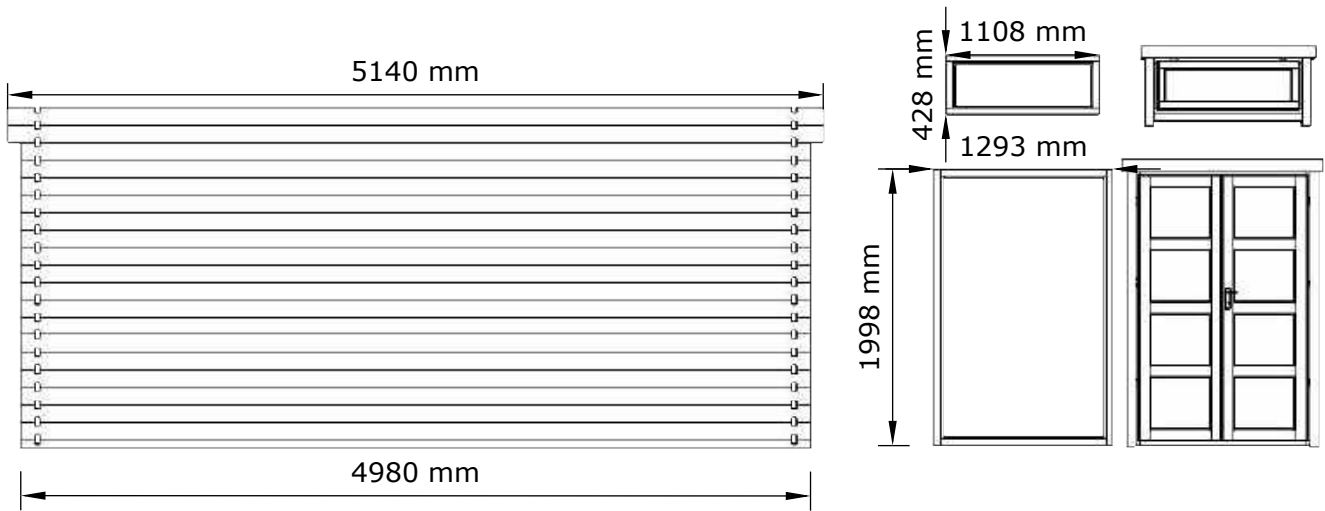
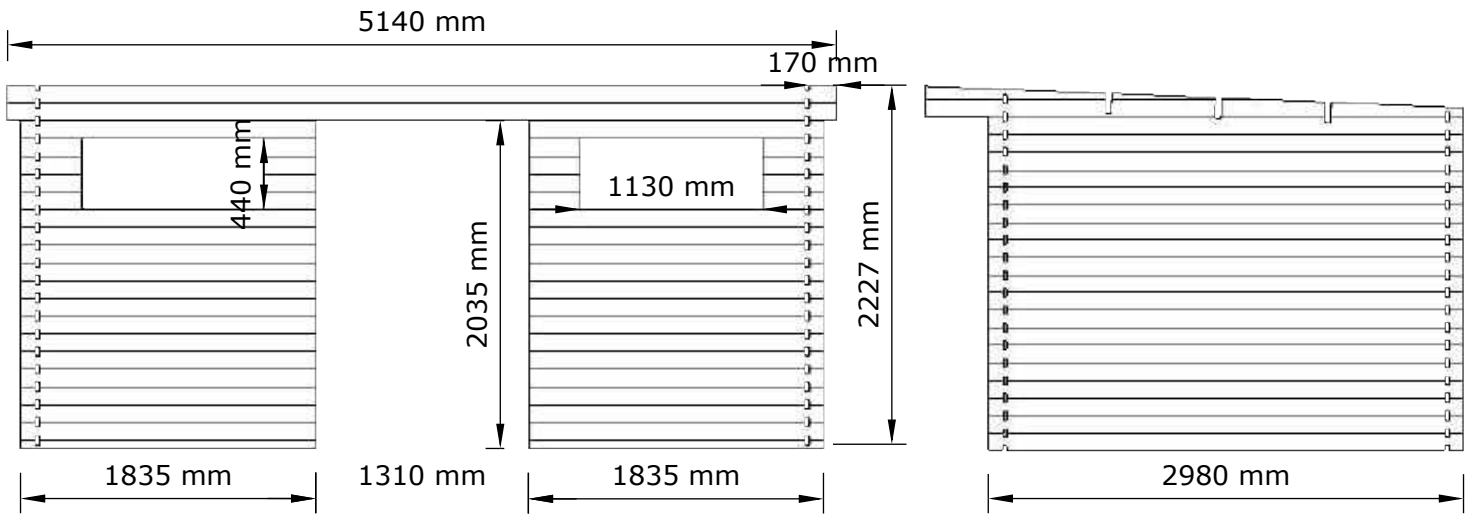
Pos	Size, mm h x b x l			Quantity		Destination
3	28	55	4980	1		Wall B
3a	28	55	1835	2		Wall A
4	28	110	4980	17		Wall B
5	28	110	5140	4+1		Wall A, B
5a	28	110	1835	28		Wall A
5b	28	110	397	8		Wall A
5c	28	110	320	8		Wall A
6	28	110	2980	36		Wall C, D
8	28	330	3380	2		Vault
8a	28	55	90	1		Wind board support
8b	28	55	490	1		Wind board support
9	44	140	5140	3		Rafter
10	16	90 (110)	3383	59 (49)		Roof board
11	16	90	2586	3		Wind board
11	16	90	2586	3		Wind board
11a	16	90	3399	2		Wind board
11a	16	90	3399	2		Wind board
14	16	65	1080	4		
15	16	65	470	8		
15a	16	90	1262	4		
16	16	65	2042	4		
16a	16	90	1440	2		
18				2		Window
19				1		2xDoor

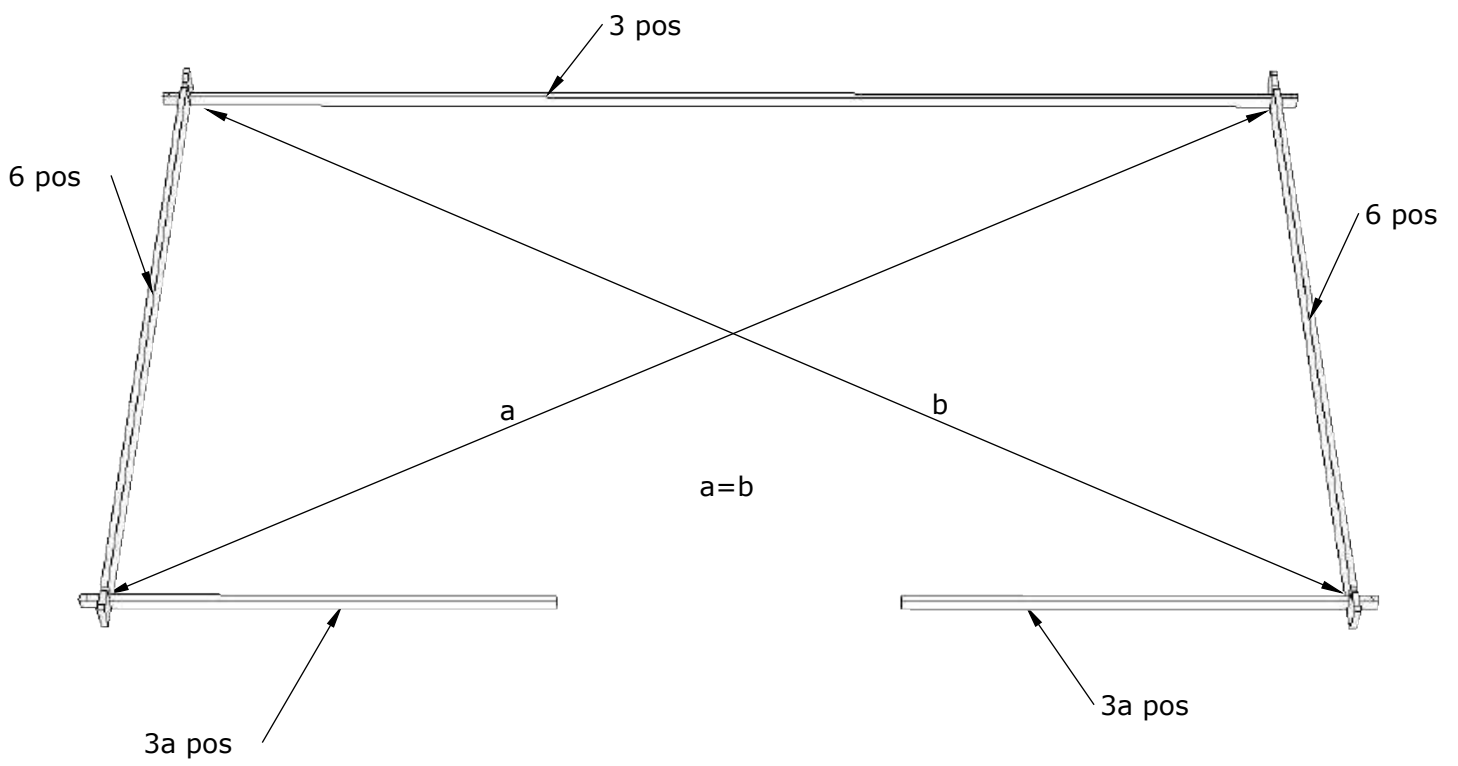
Recommendations.

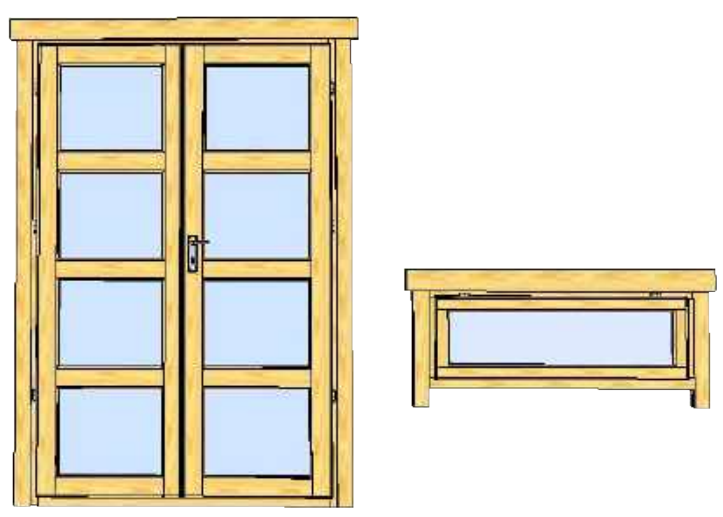
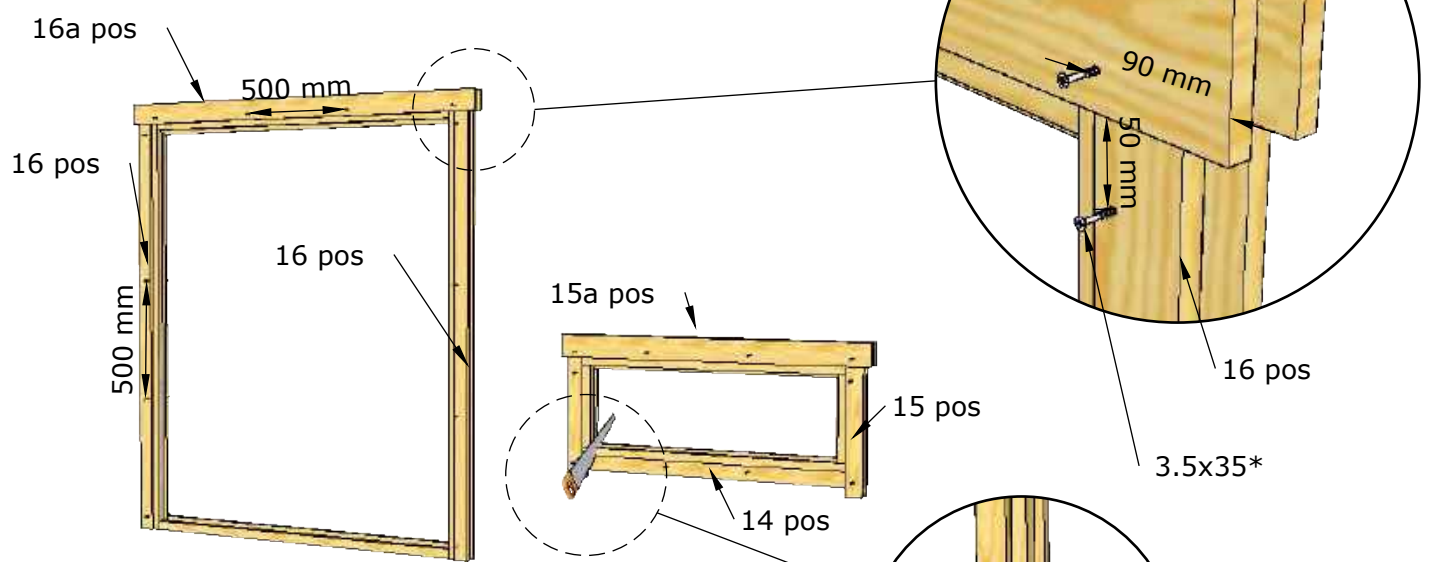
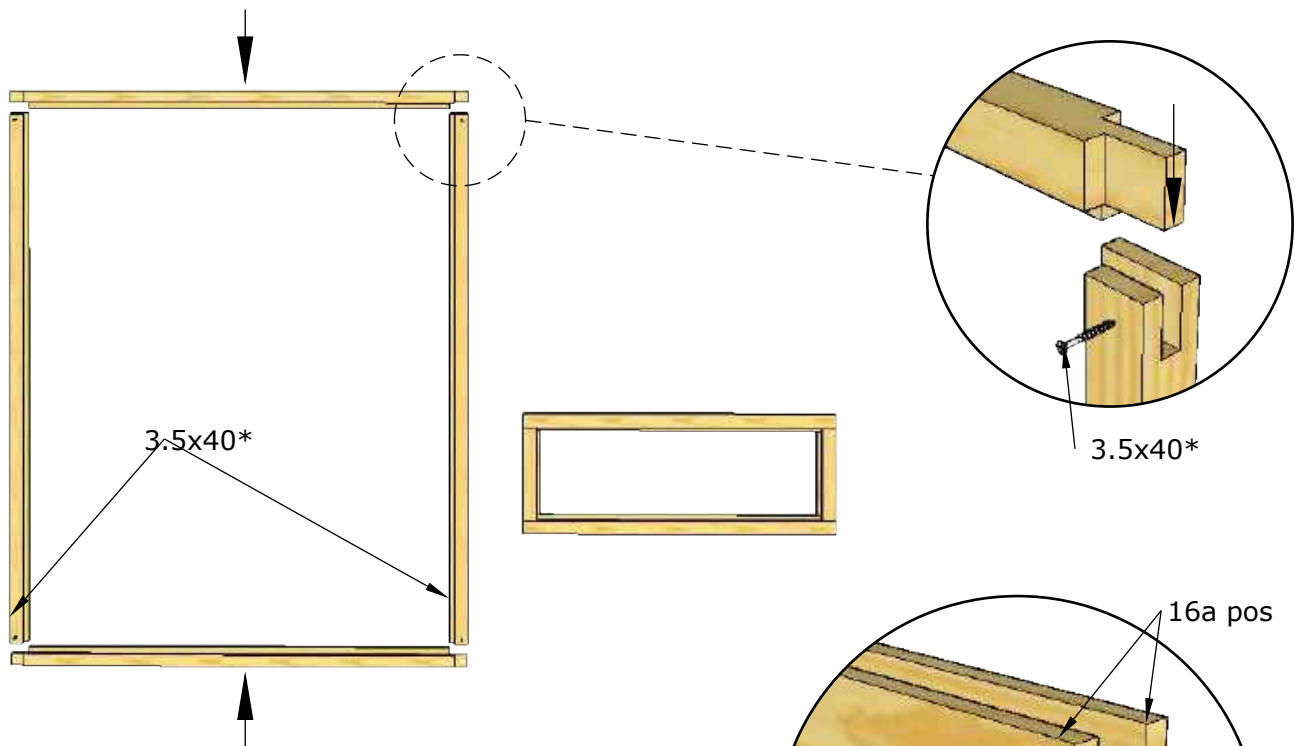
It is recommended to install a ventilation system in the house.



Assembly of the house requires at least minimum knowledge in the field of assembly of wood products. Otherwise, we recommend hiring a specialist.







*Screws are not included in the package

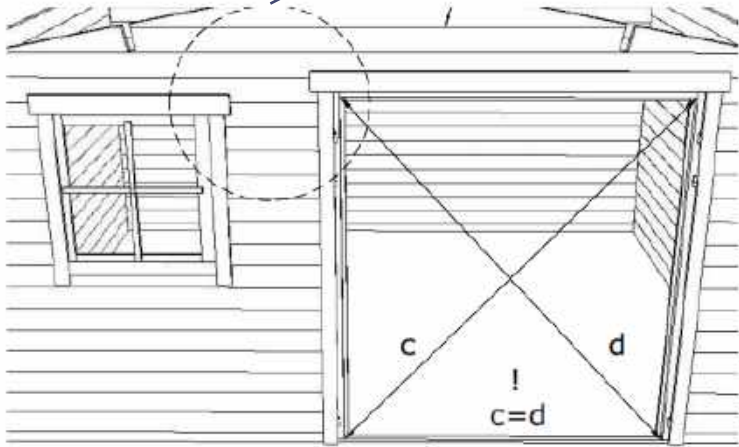
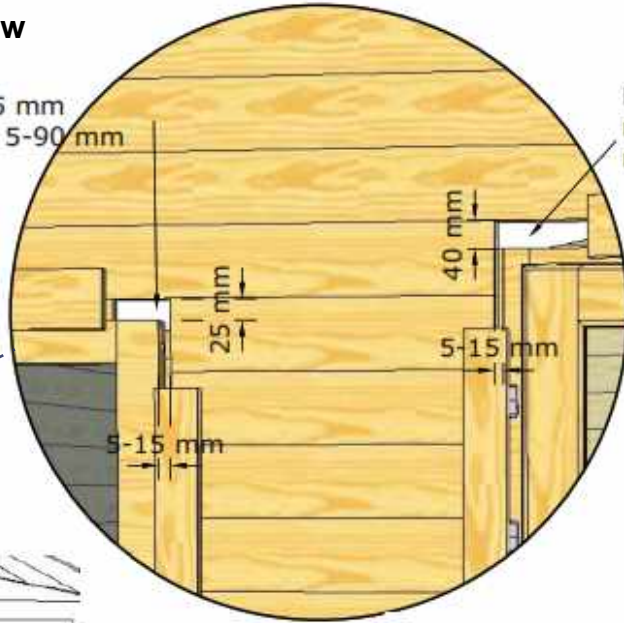
The guide is illustrative. This guide is not project specification.

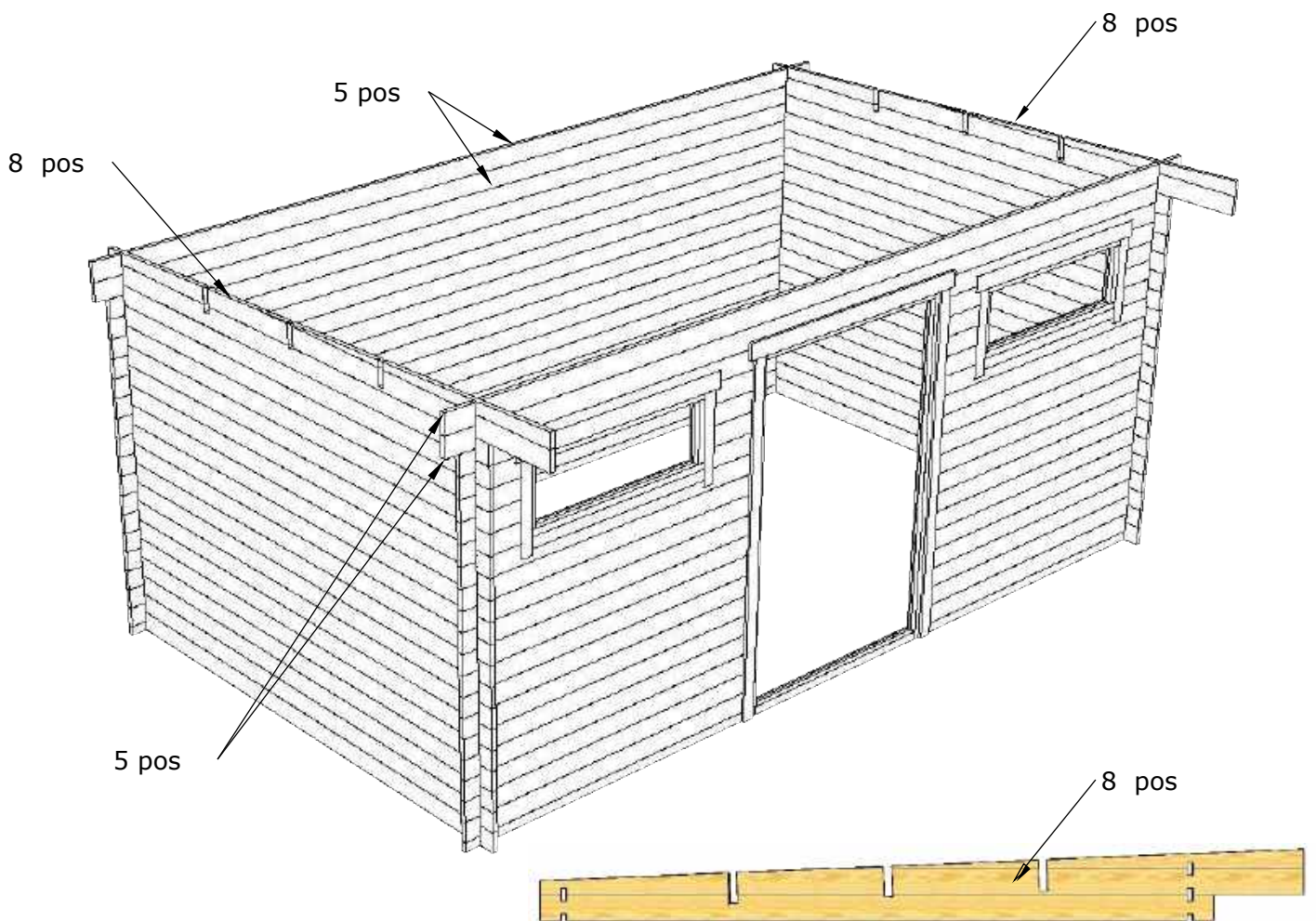
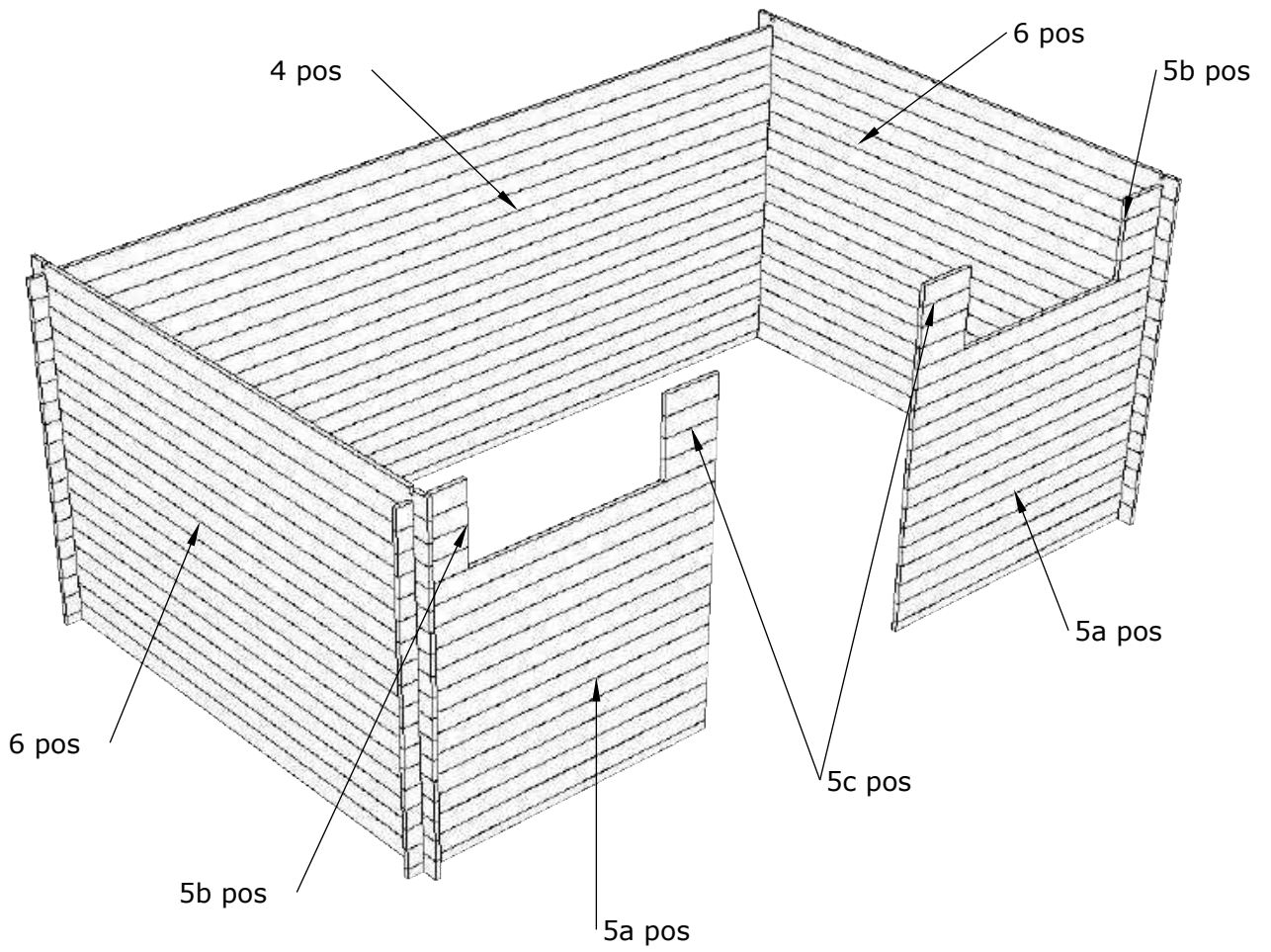
Window

Normal ca 25 mm
min-max ca 5-90 mm

Door

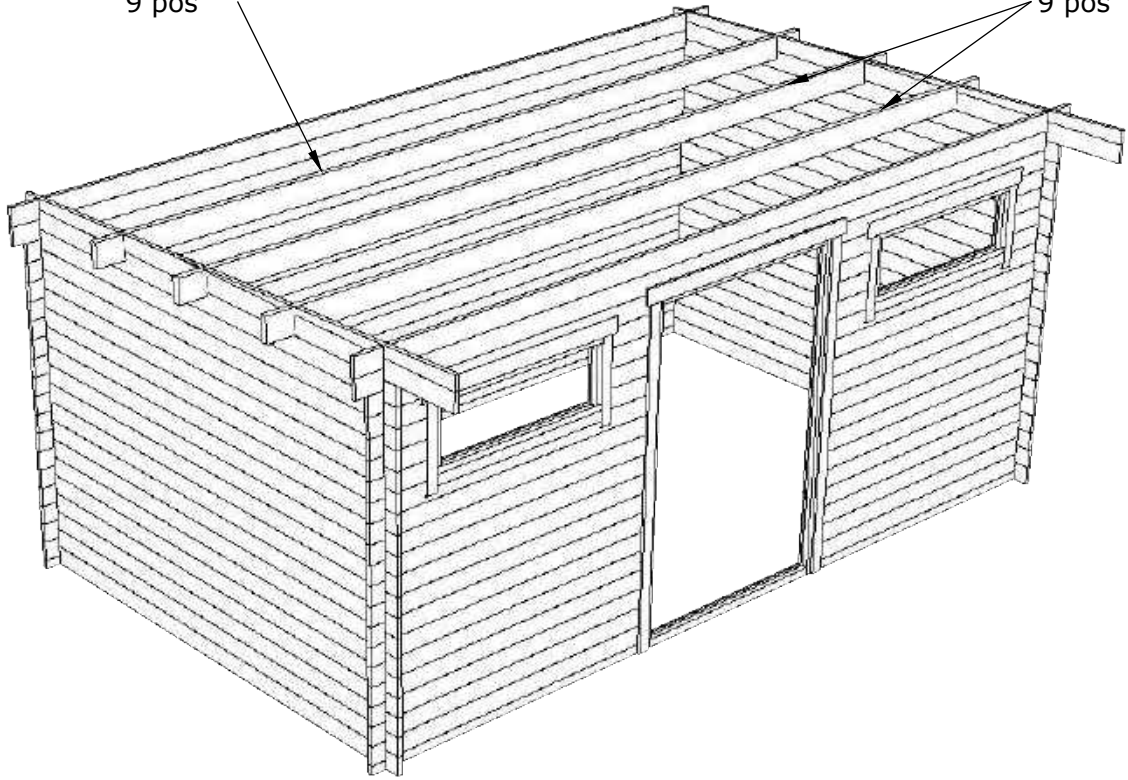
Normal - ca 40 mm;
min - ca 5 mm;
max - ca 90 mm





9 pos

9 pos



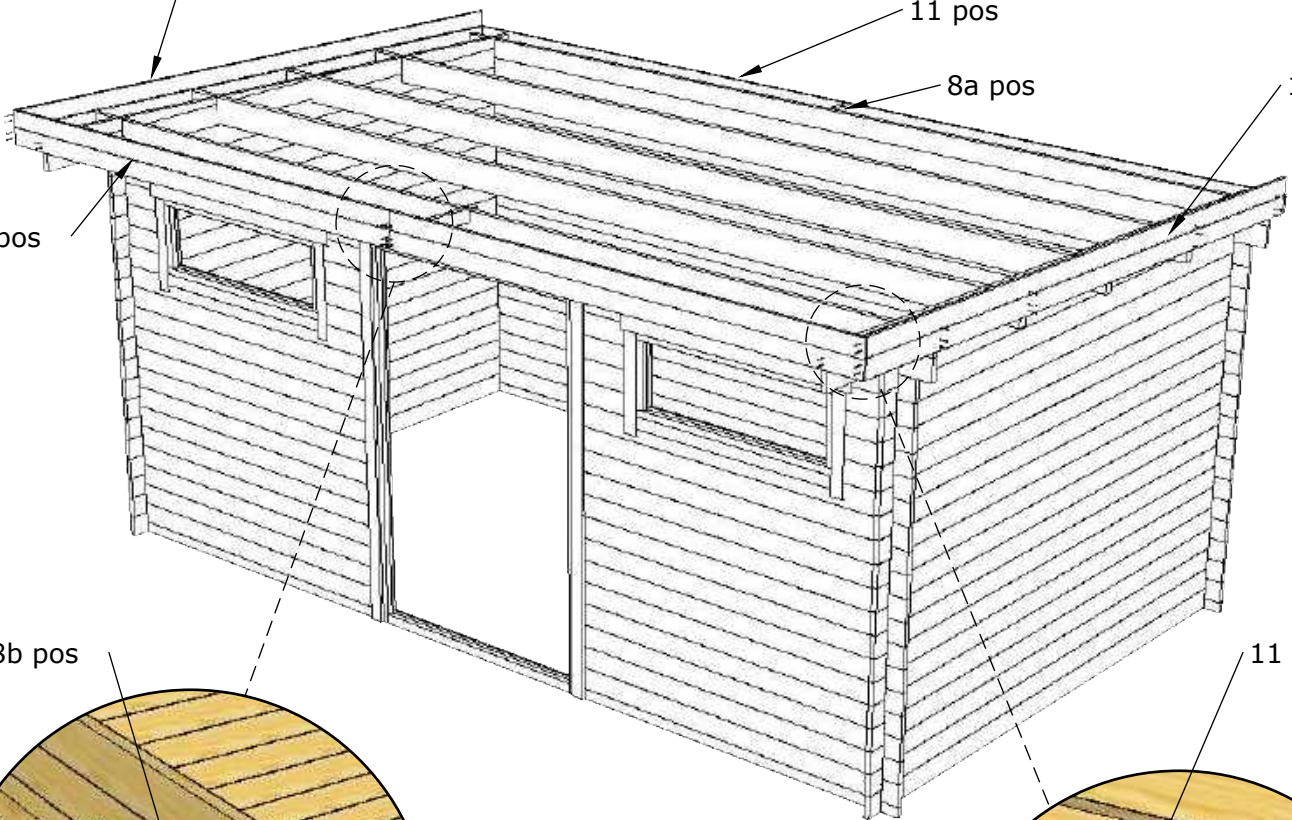
11a pos

11 pos

8a pos

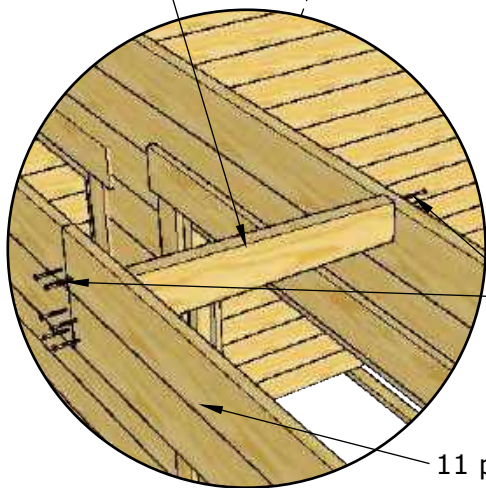
11 pos

11 pos



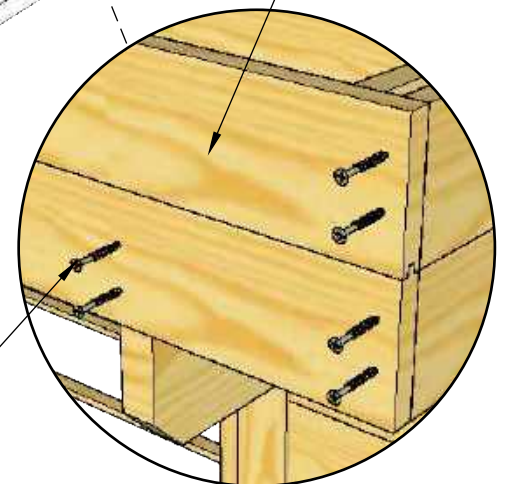
8b pos

11 pos



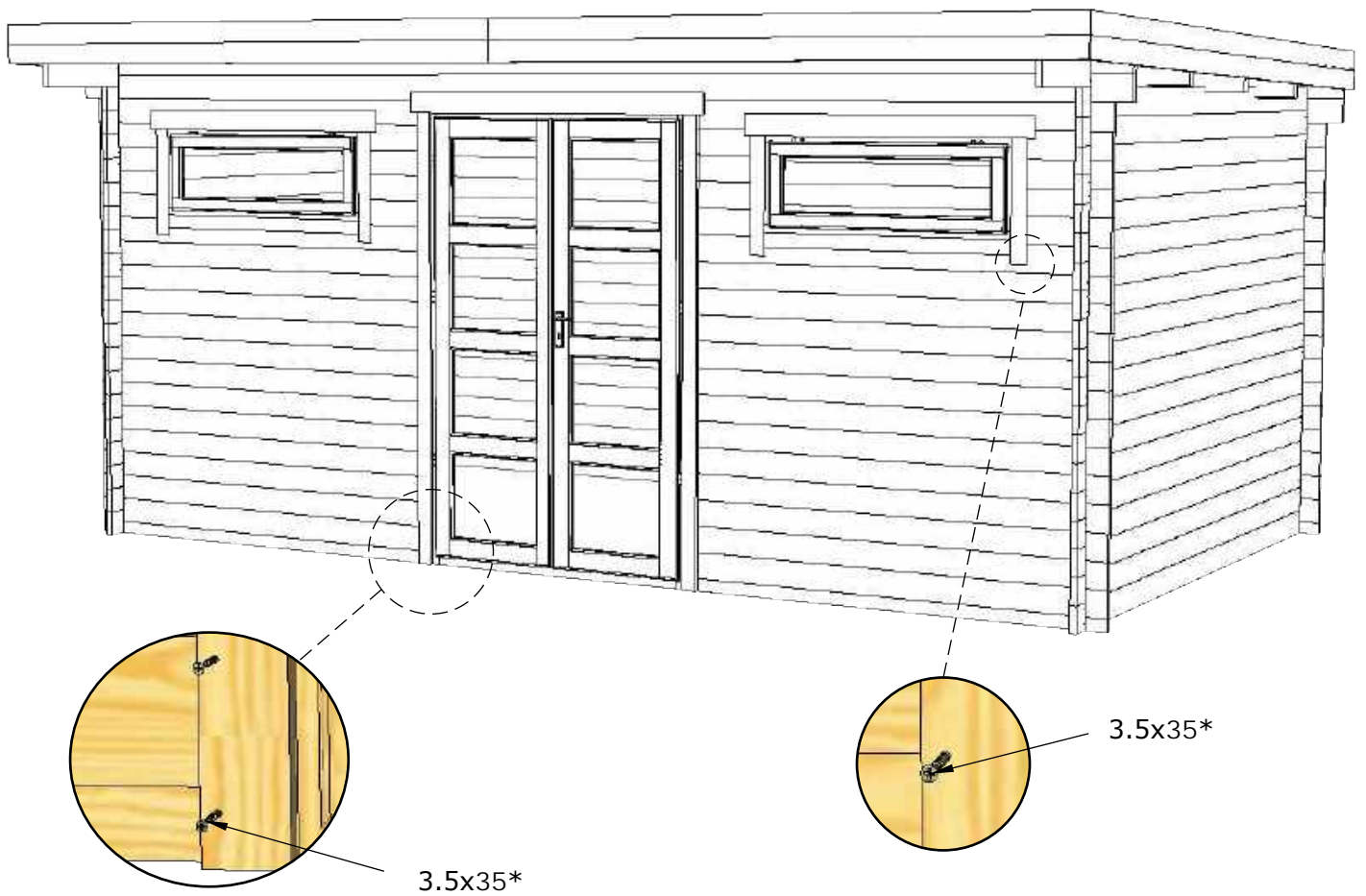
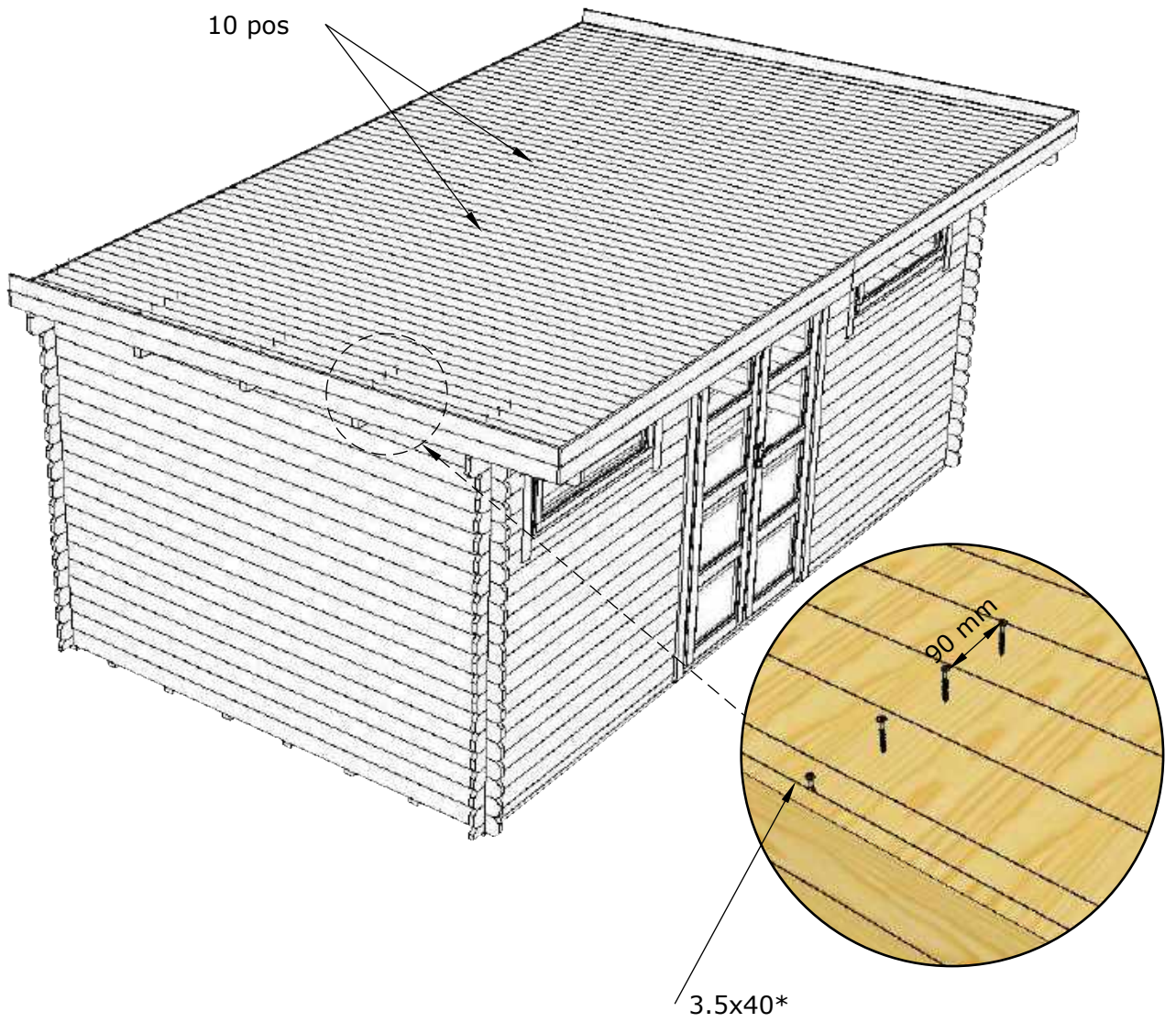
3.5x40*

11 pos



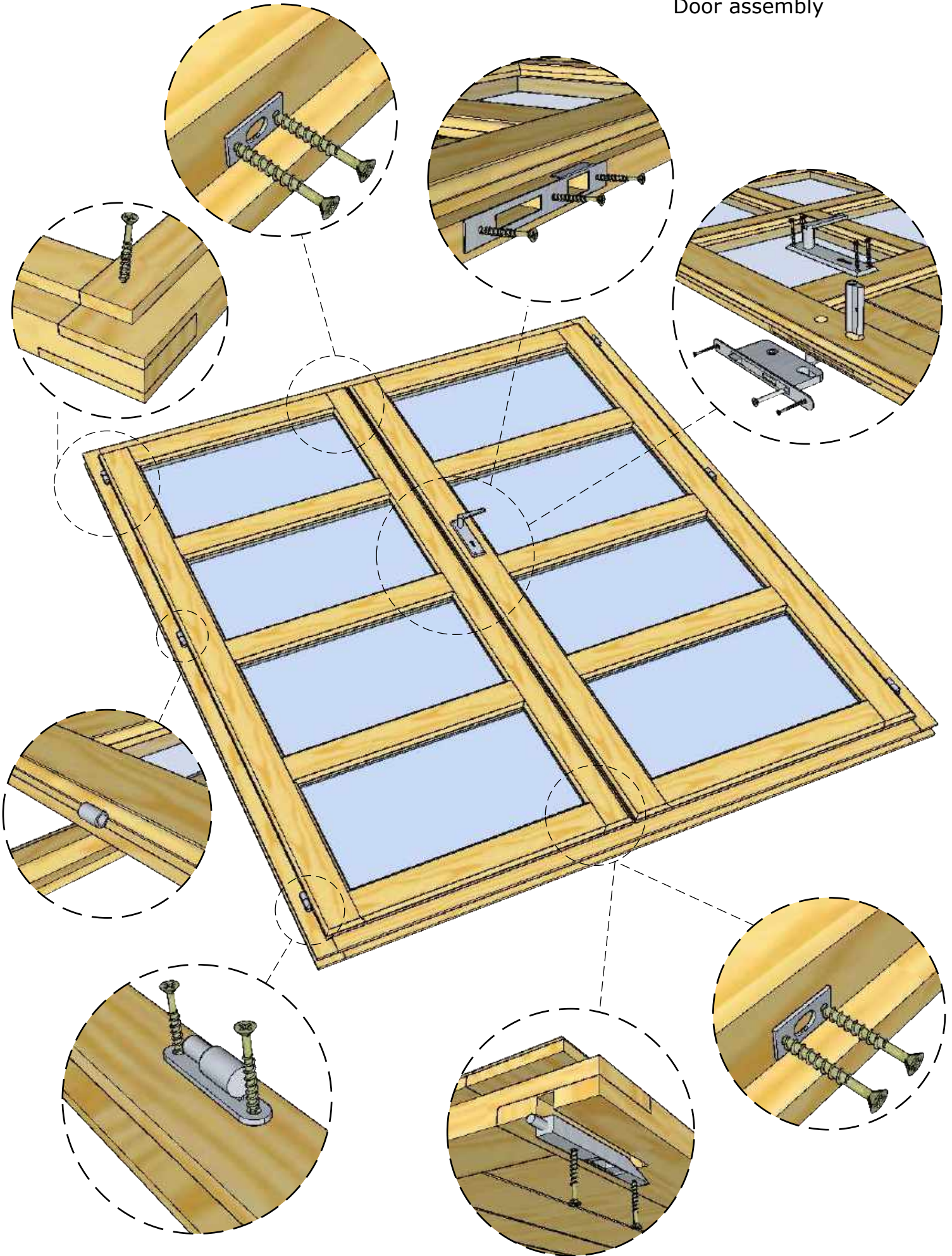
3.5x40*

*Screws are not included in the package

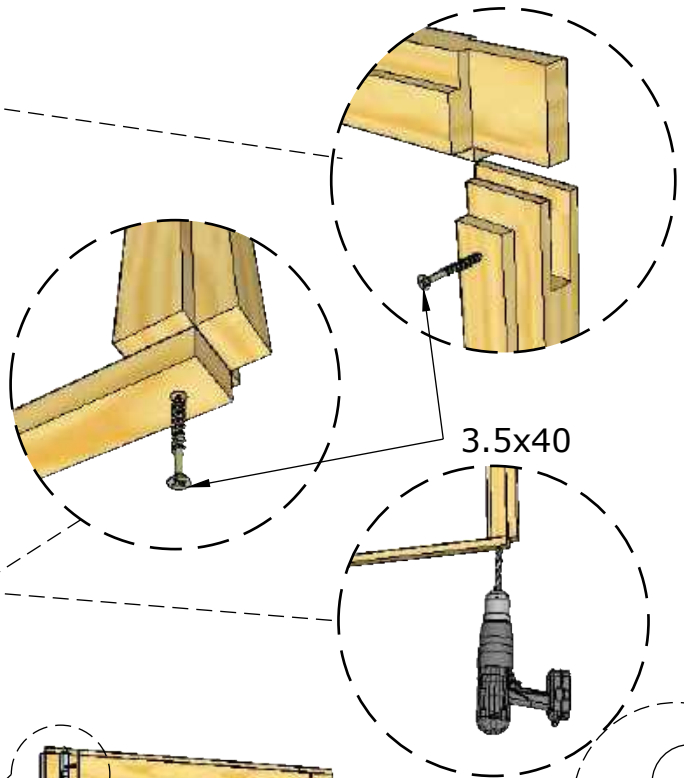
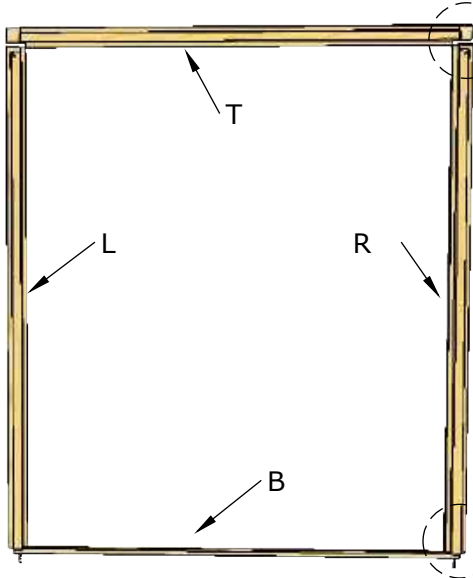


*Screws are not included in the package

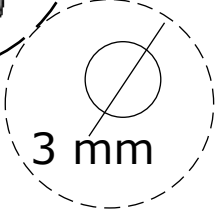
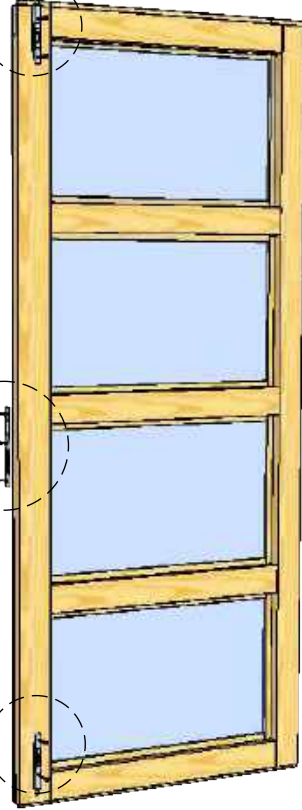
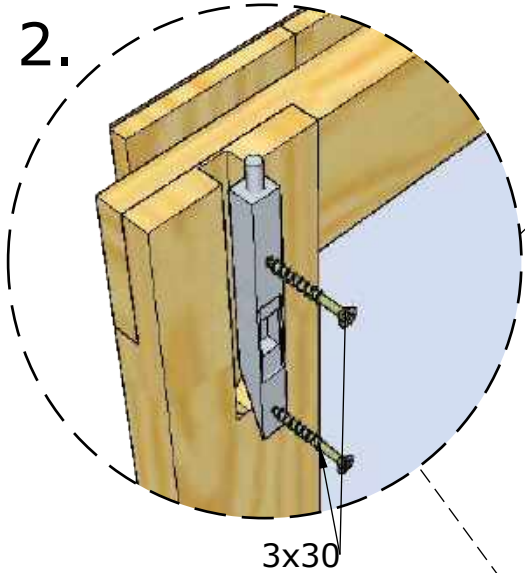
Door assembly



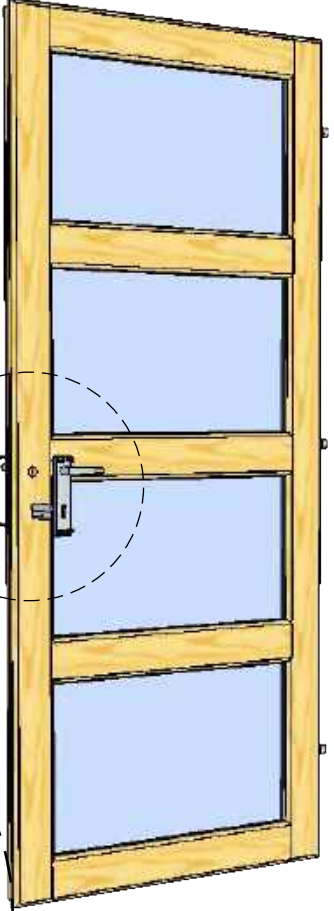
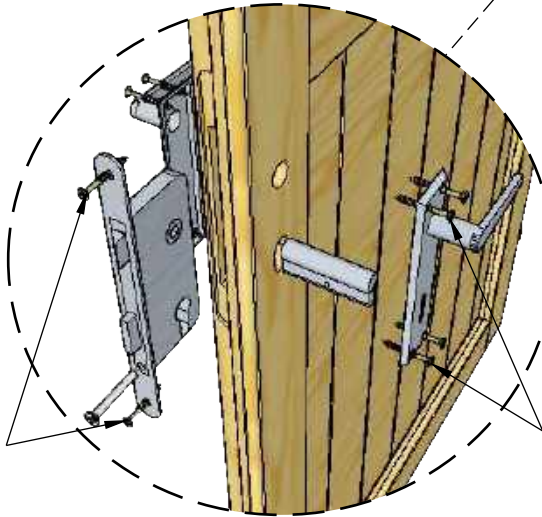
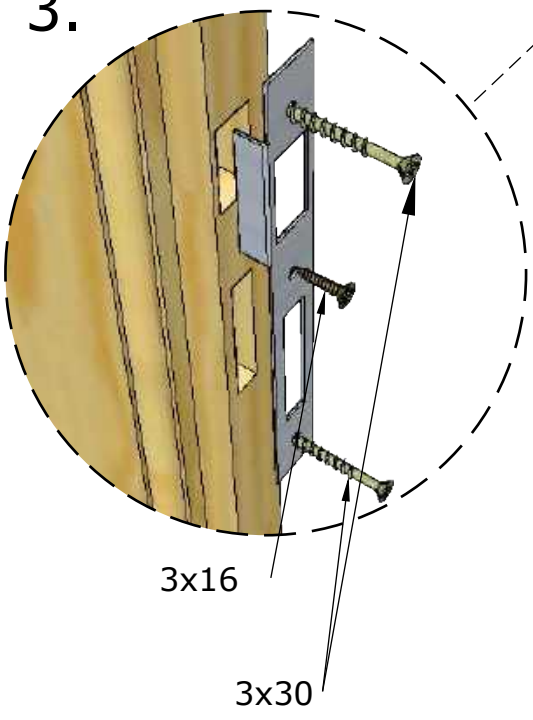
1.



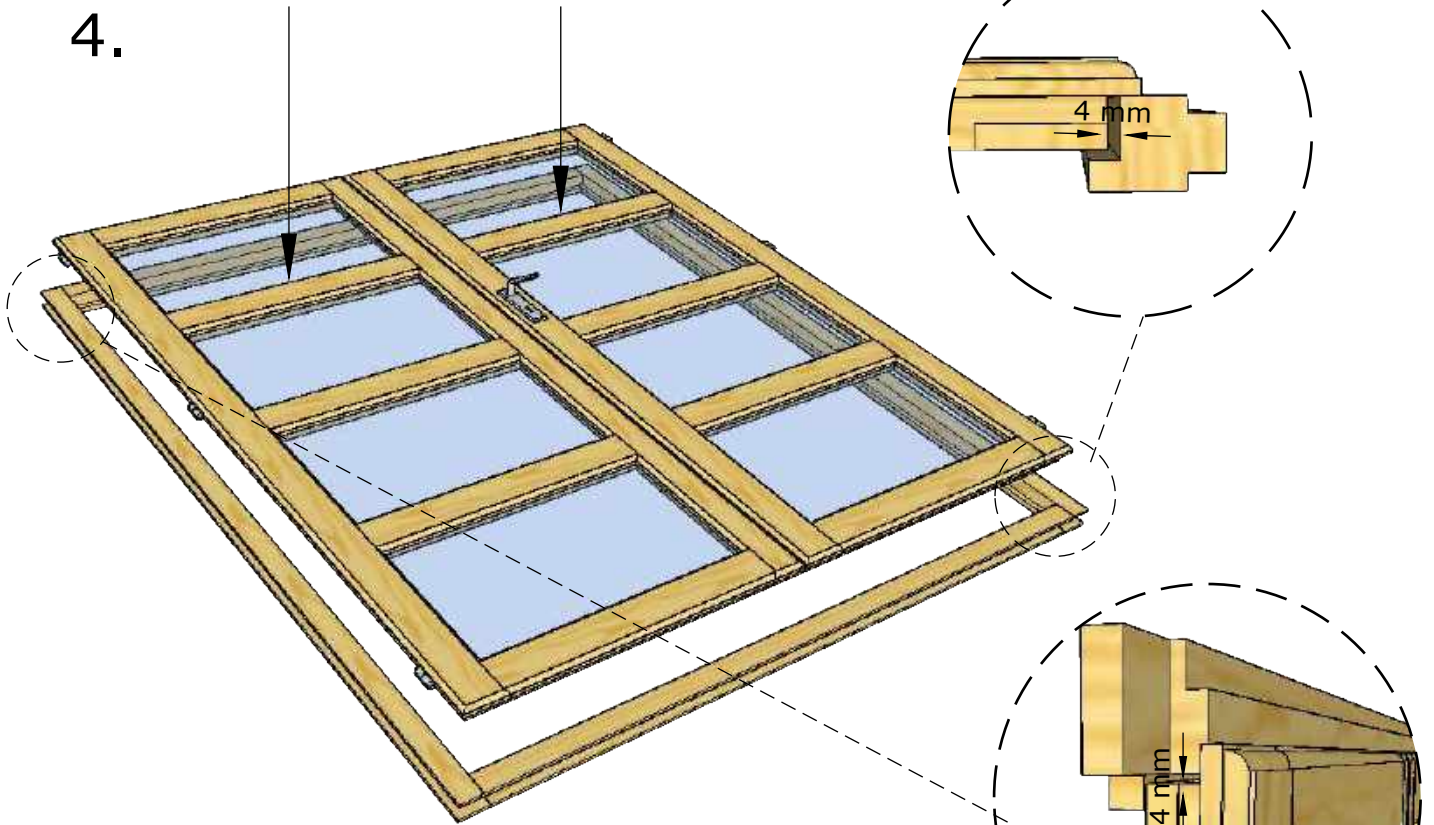
2.



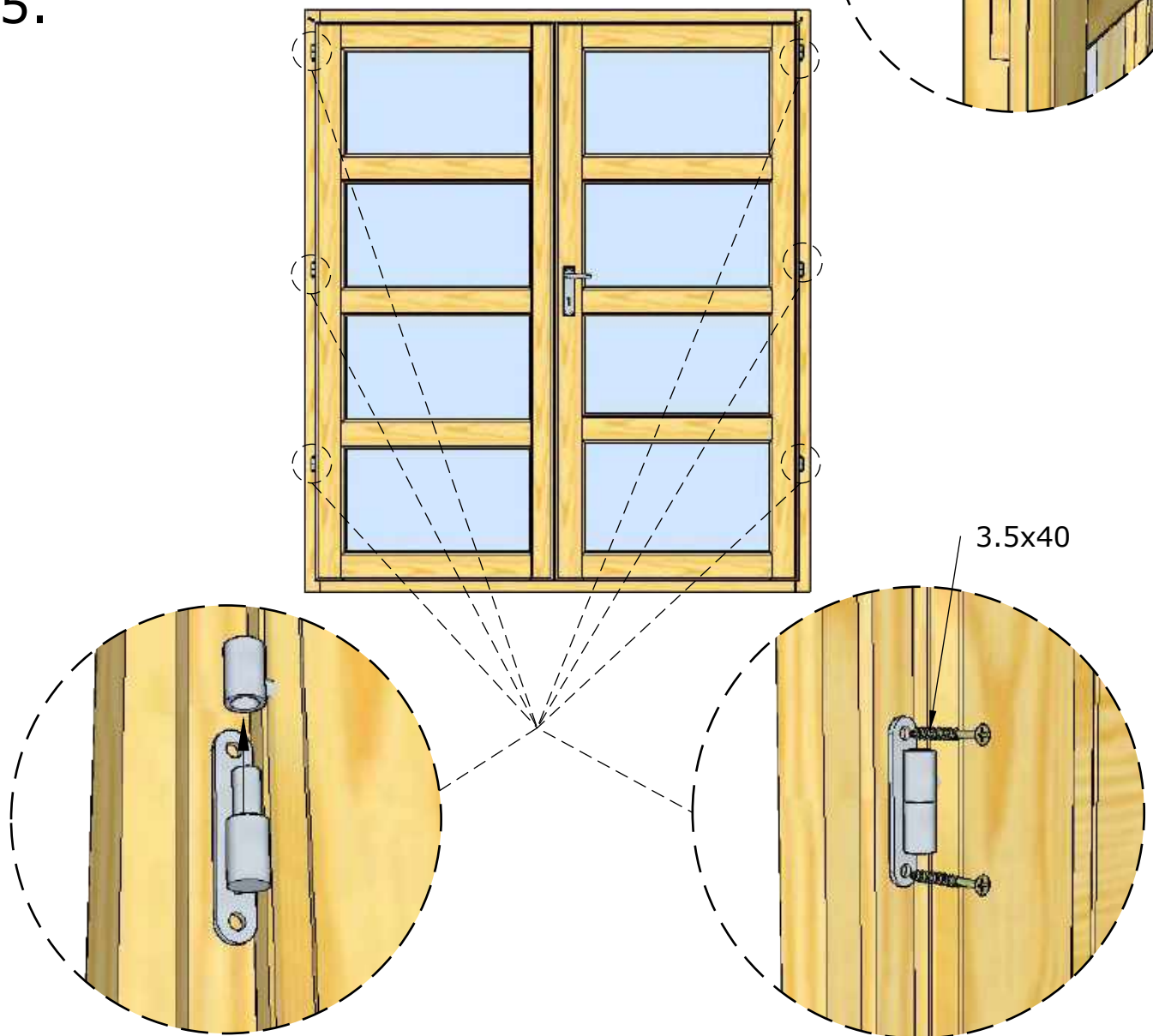
3.



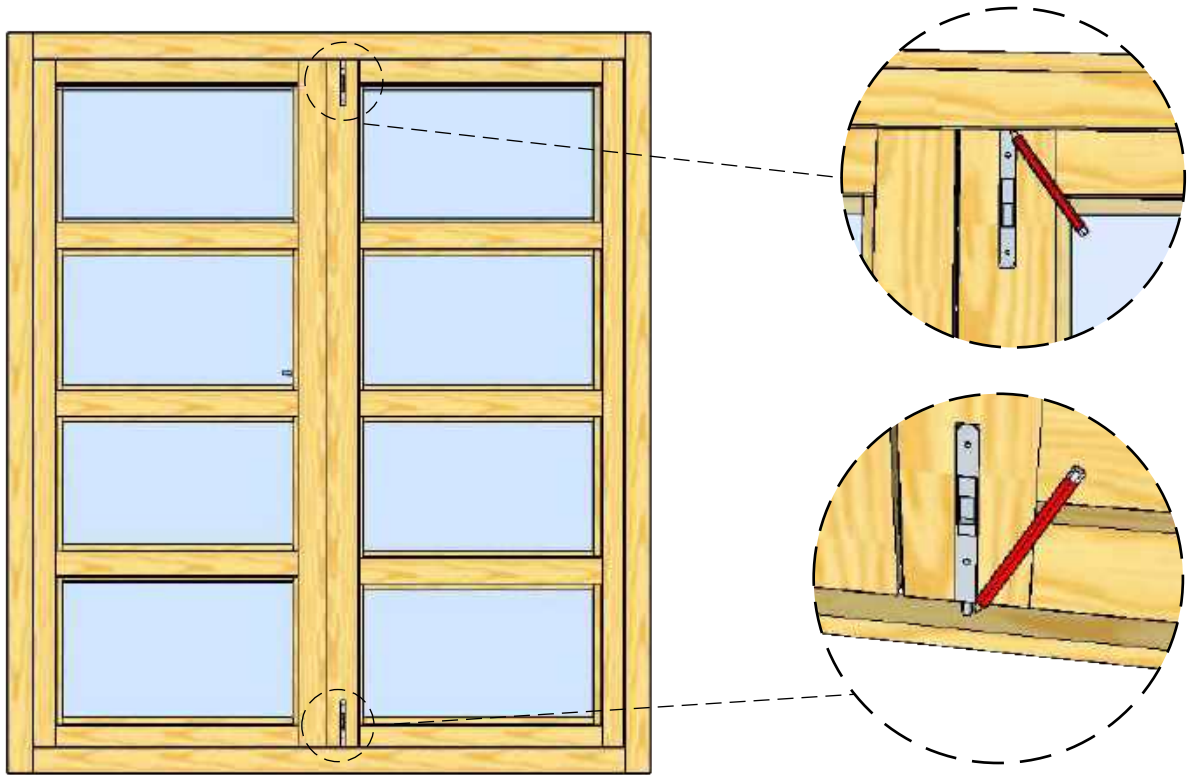
4.



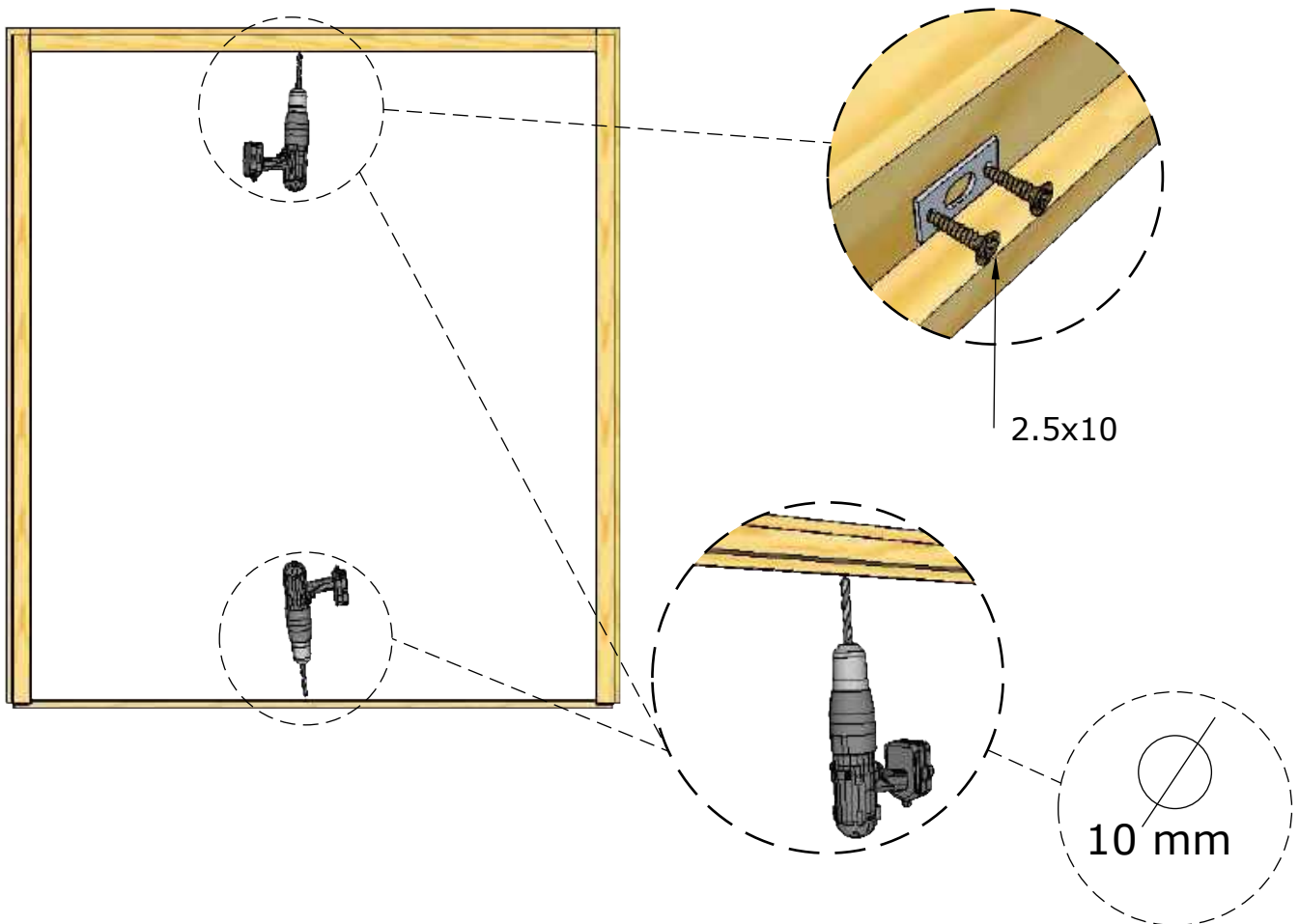
5.

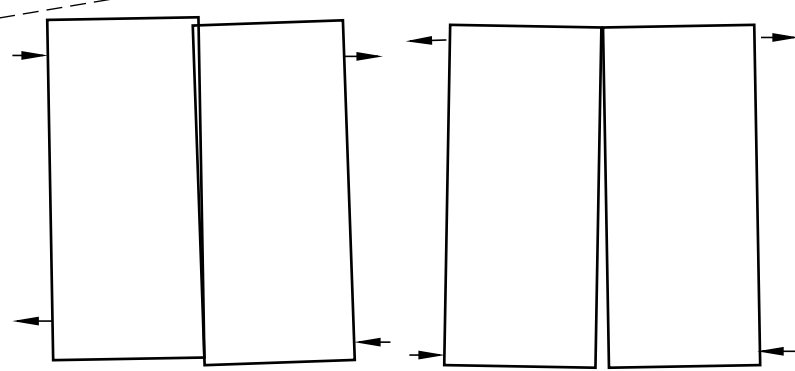
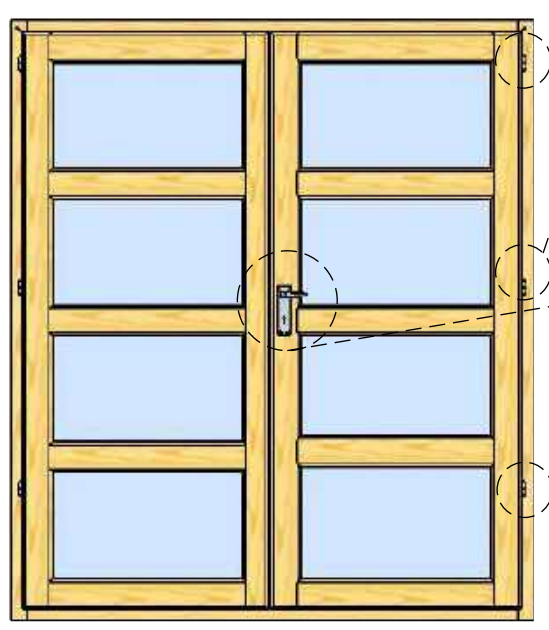
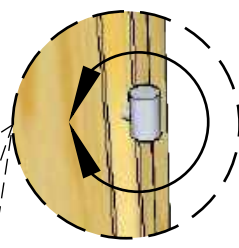
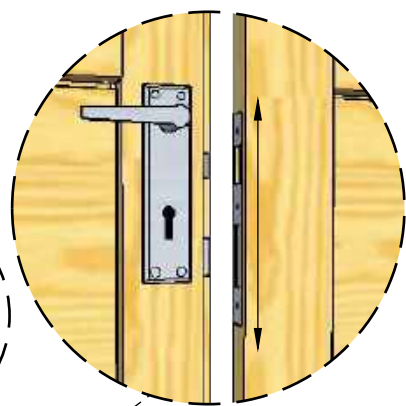
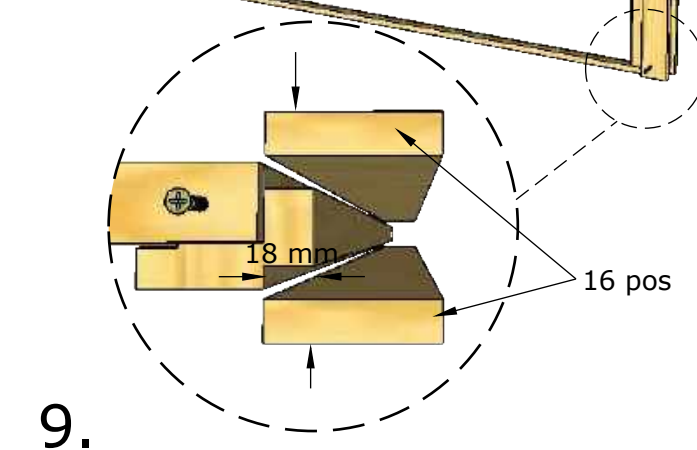
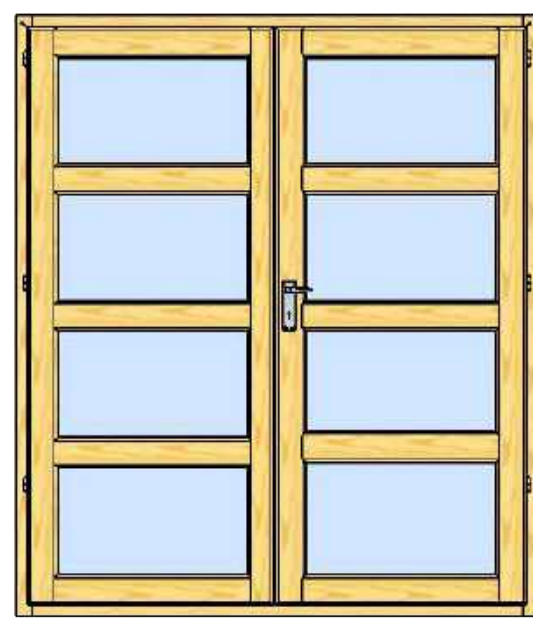
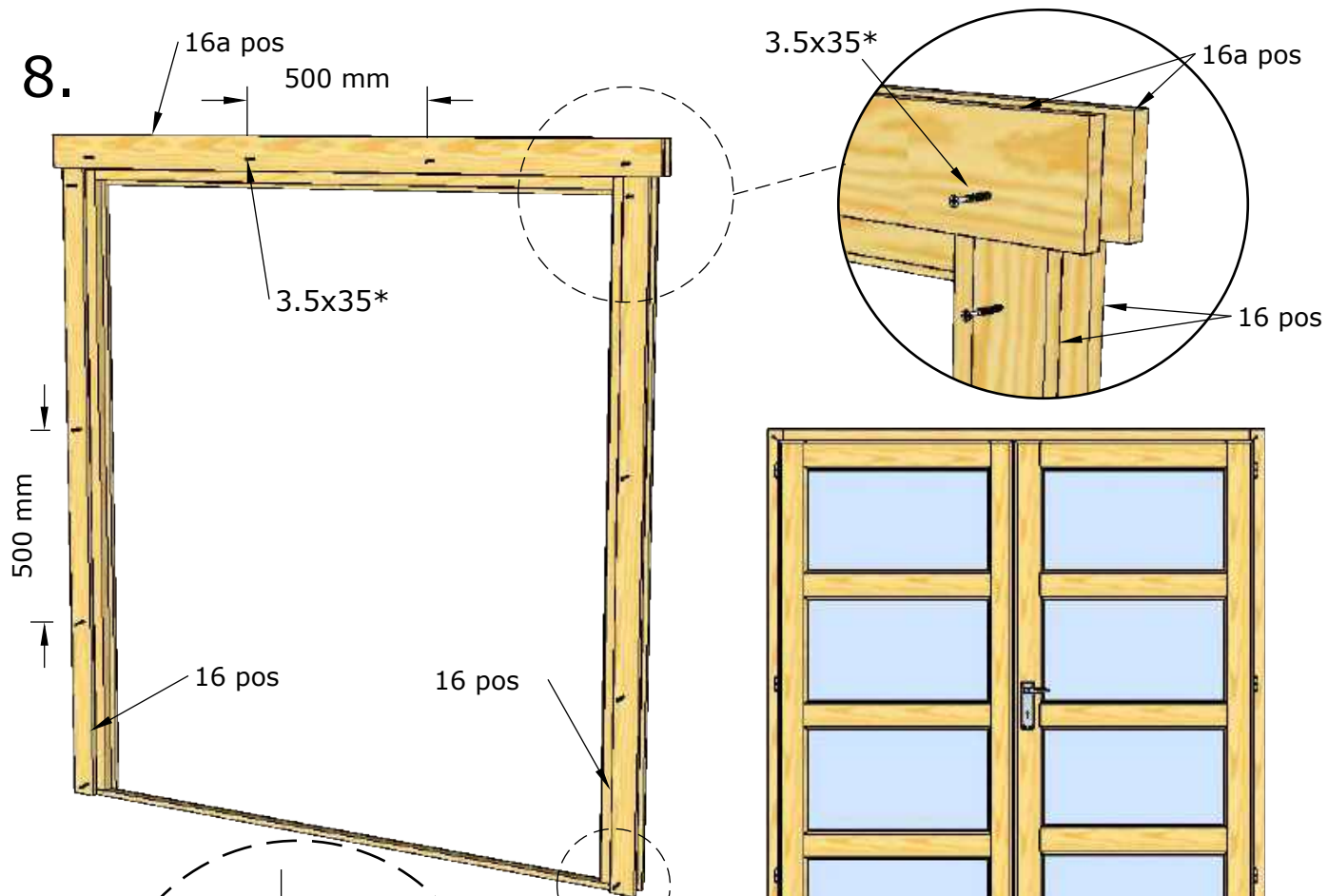


6.



7.





*Screws are not included in the package